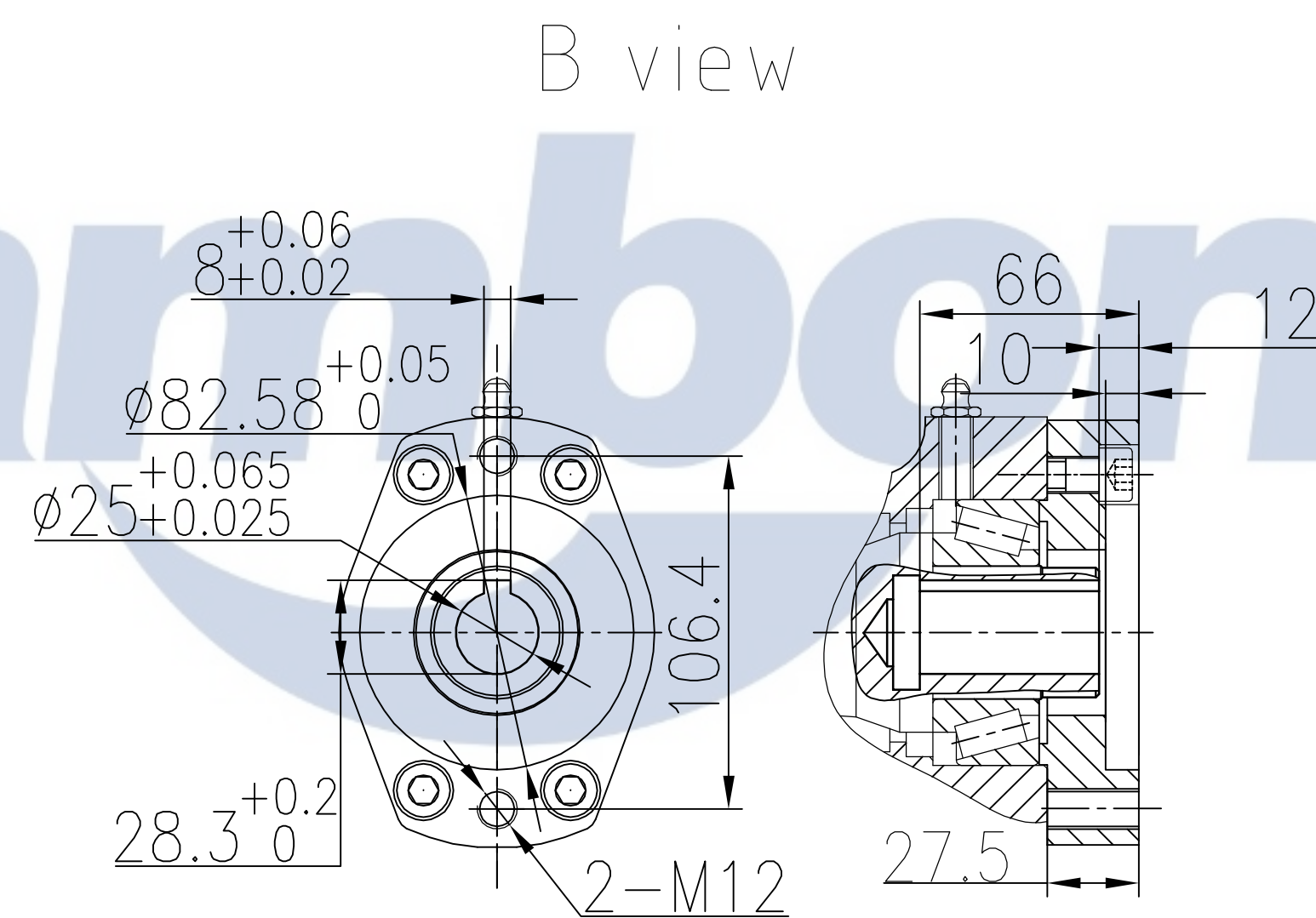
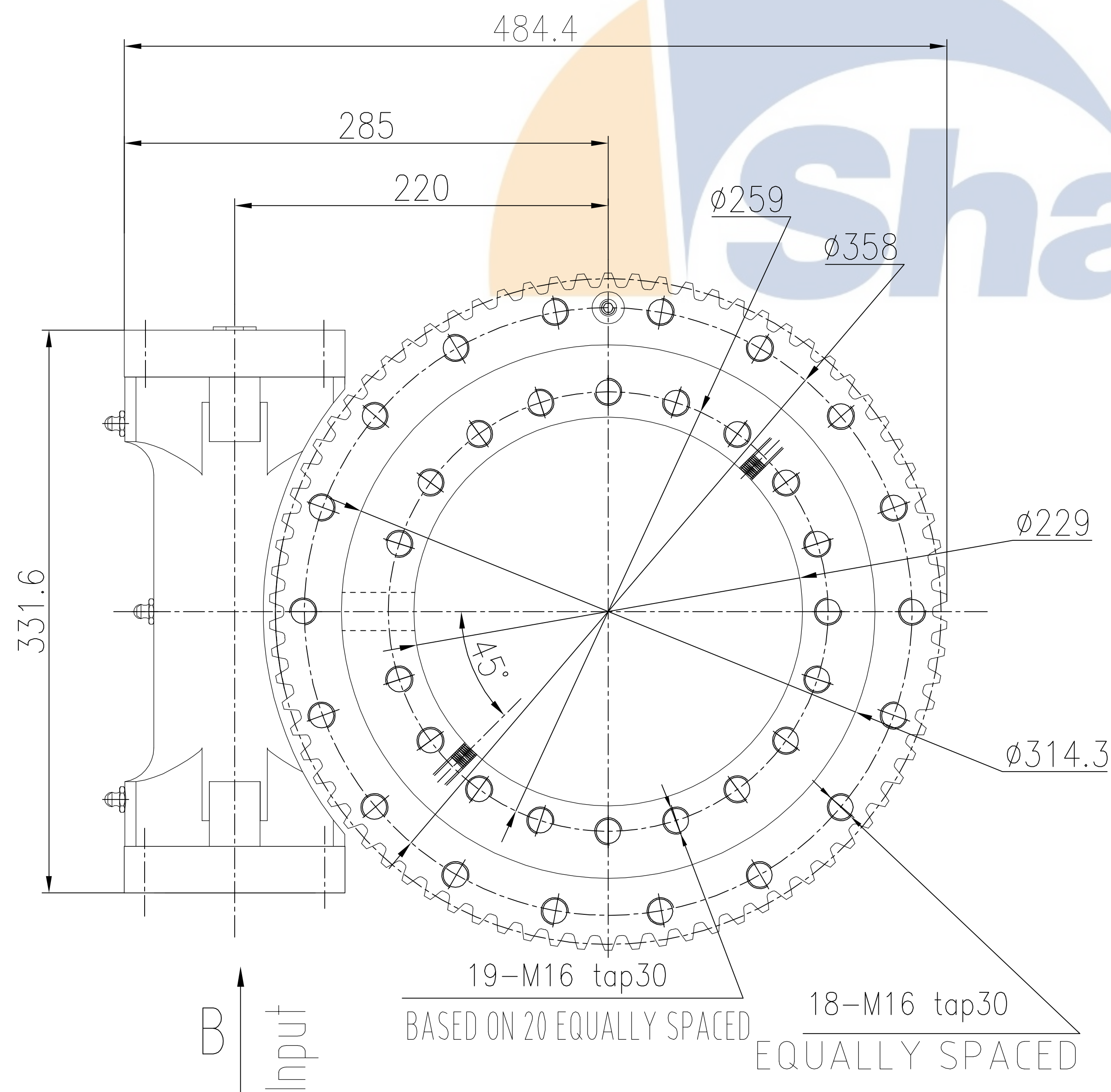
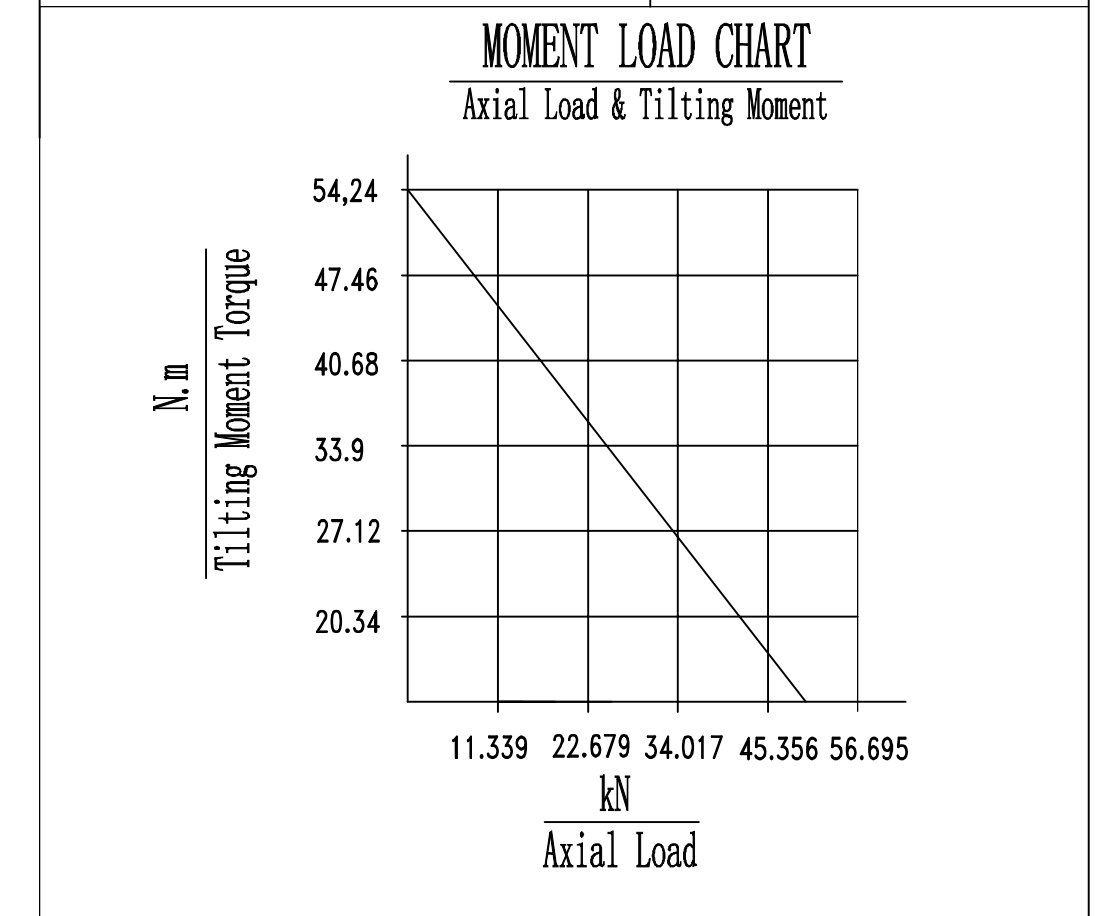


Gear Ratio	78:1
Rated Output Torque	7500 N.m
Rated Output Speed	$\leq 3/\text{rpm}$
Tilting Moment Torque	54.3 kN.m
Holding Torque	43 kN.m
Static Axial Rating	475 kN
Static Radial Rating	190 kN
Tracking Precision	$\leq 0.17^\circ$
Self Locking Gears	Yes
Operating Temperature	$-20^\circ\text{C} / +120^\circ\text{C}$
Weight	41kg



REV	DATE	REVISER	DESCRIPTION		
DESIGNED BY	Andrew			Xuzhou Shambon Machinery Co., Ltd.	
CHECKED BY	Colin			www.xzshangbang.com	
APPROVED BY	Ivan				
ALL PROPRIETARY RIGHTS IN THE SUBJECT MATTER HERE OF ARE RESERVED, AND NO PERMISSION IS GRANTED OR TO DISCLOSE REPRODUCE THIS PRINT IN WHOLE OR IN PART, ANY OF THE INFORMATION TO OTHERS.			WEIGHT	SCALE	SLEWING DRIVE
SYMBOL ISO		SIZE	A3	SHEET	1/1
				S12-78-H-25R	
					REV A