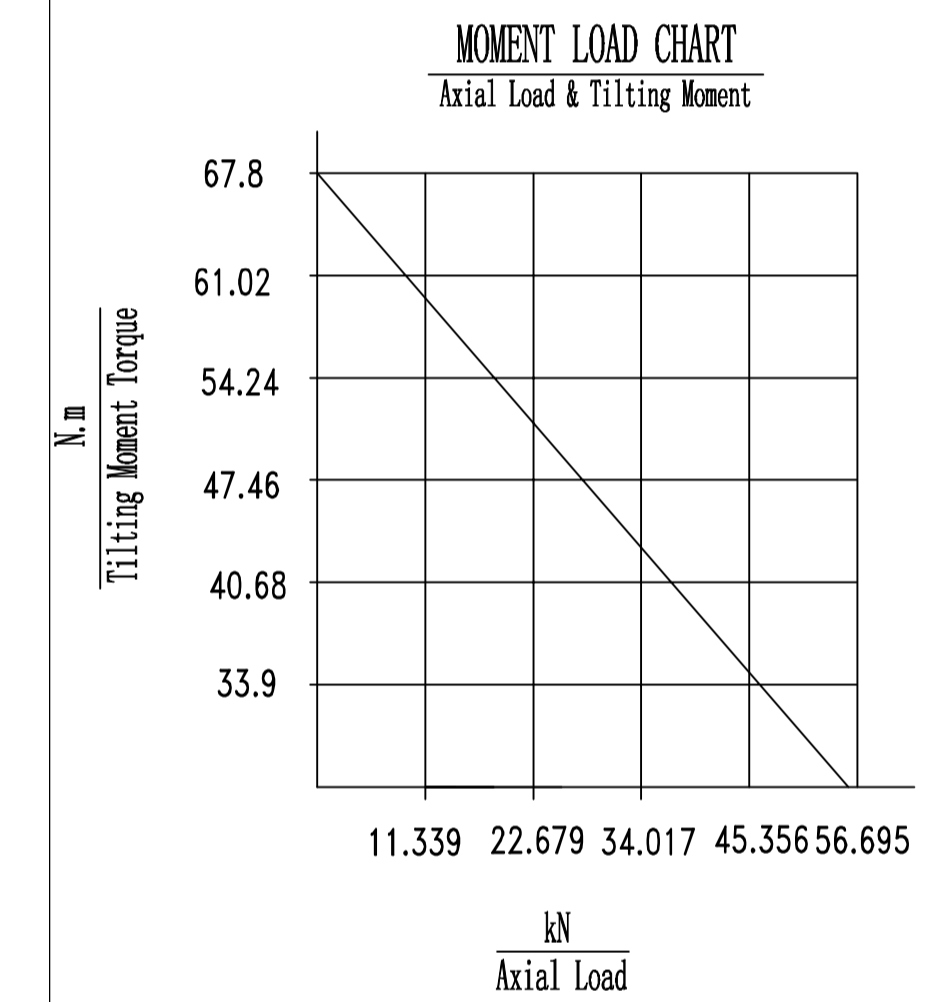
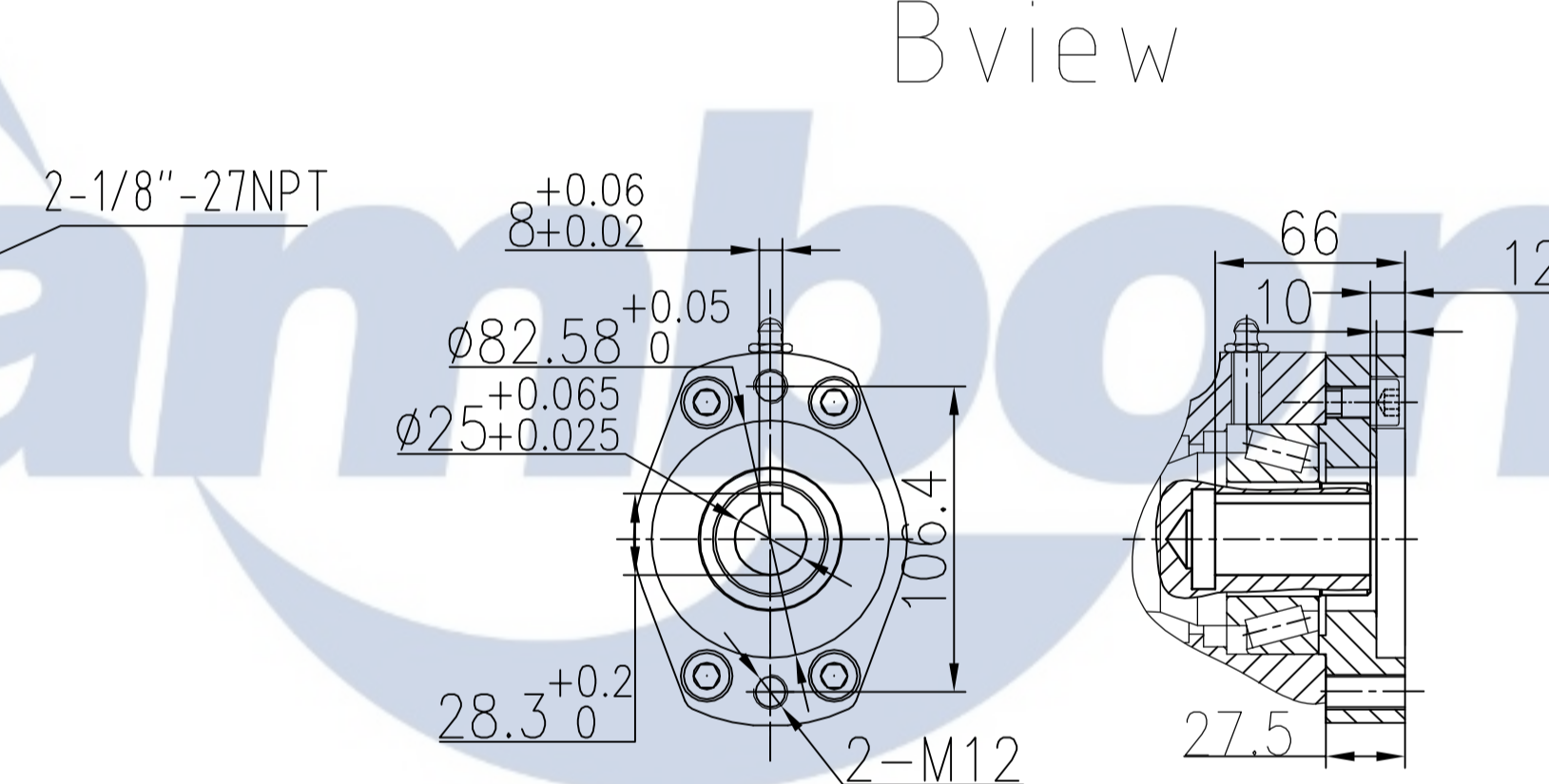
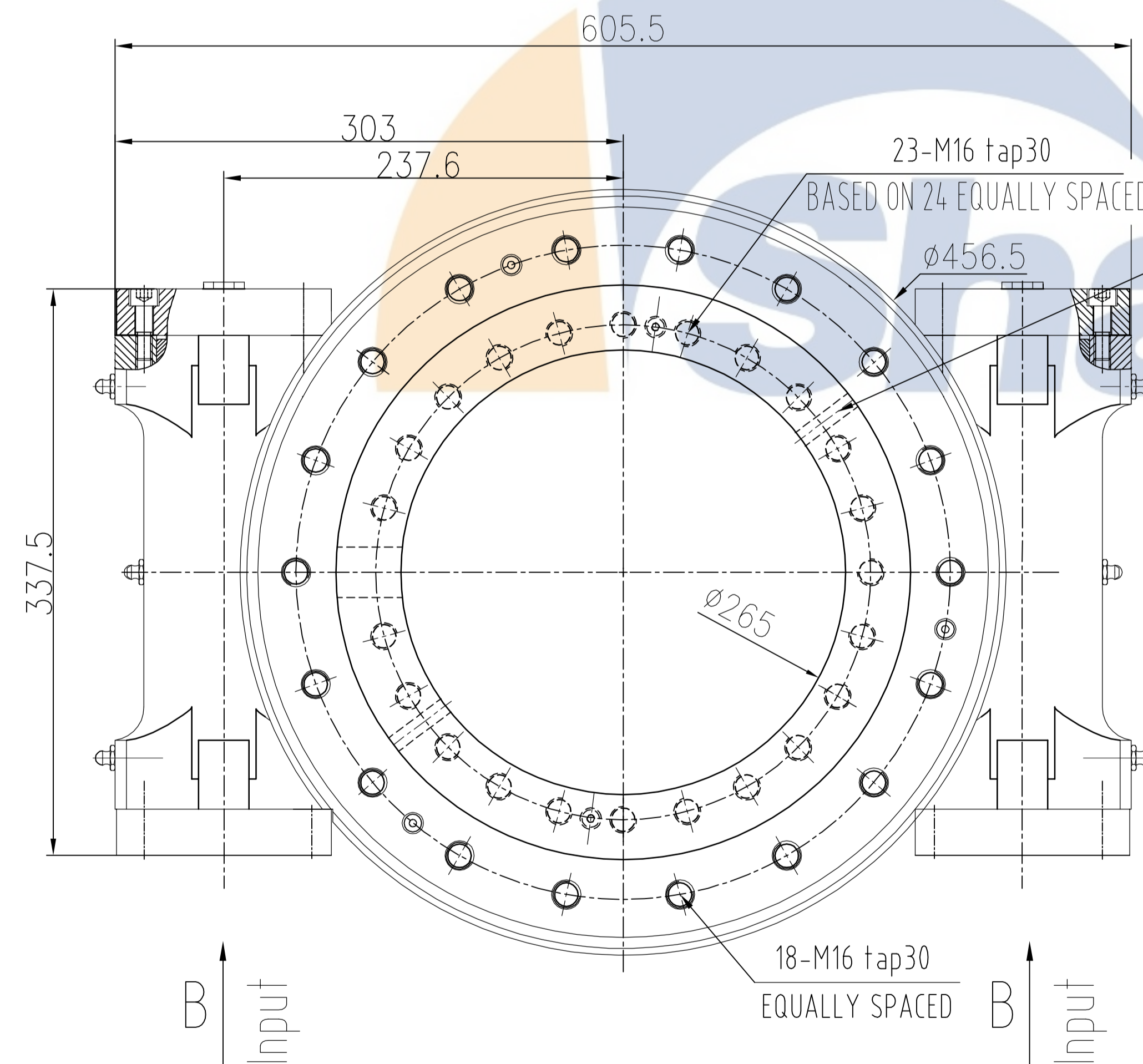


| | |
|-----------------------|------------------|
| Gear Ratio | 85:1 |
| Rated Output Torque | 12000 N.m |
| Rated Output Speed | ≤ 3/rpm |
| Tilting Moment Torque | 67.8 kN.m |
| Holding Torque | 48 kN.m |
| Static Axial Rating | 555 kN |
| Static Radial Rating | 222 kN |
| Tracking Precision | ≤ 0.17° |
| IP Class | IP55 |
| Self Locking Gears | Yes |
| Operating Temperature | -20 °C / +120 °C |
| Weight | 76 kg |



| REV | DATE | REVISER | DESCRIPTION | | | |
|--|--------|---------|-------------|---|----------------|----------|
| DESIGNED BY | Andrew | | | Xuzhou Shambon Machinery Co., Ltd. www.xzshangbang.com | | |
| CHECKED BY | Colin | | | | | |
| APPROVED BY | Ivan | | | | | |
| ALL PROPRIETARY RIGHTS IN THE SUBJECT MATTER HERE OF ARE RESERVED, AND NO PERMISSION IS GRANTED OR TO DISCLOSE REPRODUCE THIS PRINT IN WHOLE OR IN PART, ANY OF THE INFORMATION TO OTHERS. | | | WEIGHT | SCALE | SLEWING DRIVE | |
| SYMBOLE ISO | | | SHEET | 1/1 | | |
| | | | | | SE14-85-2H-25R | REV A |