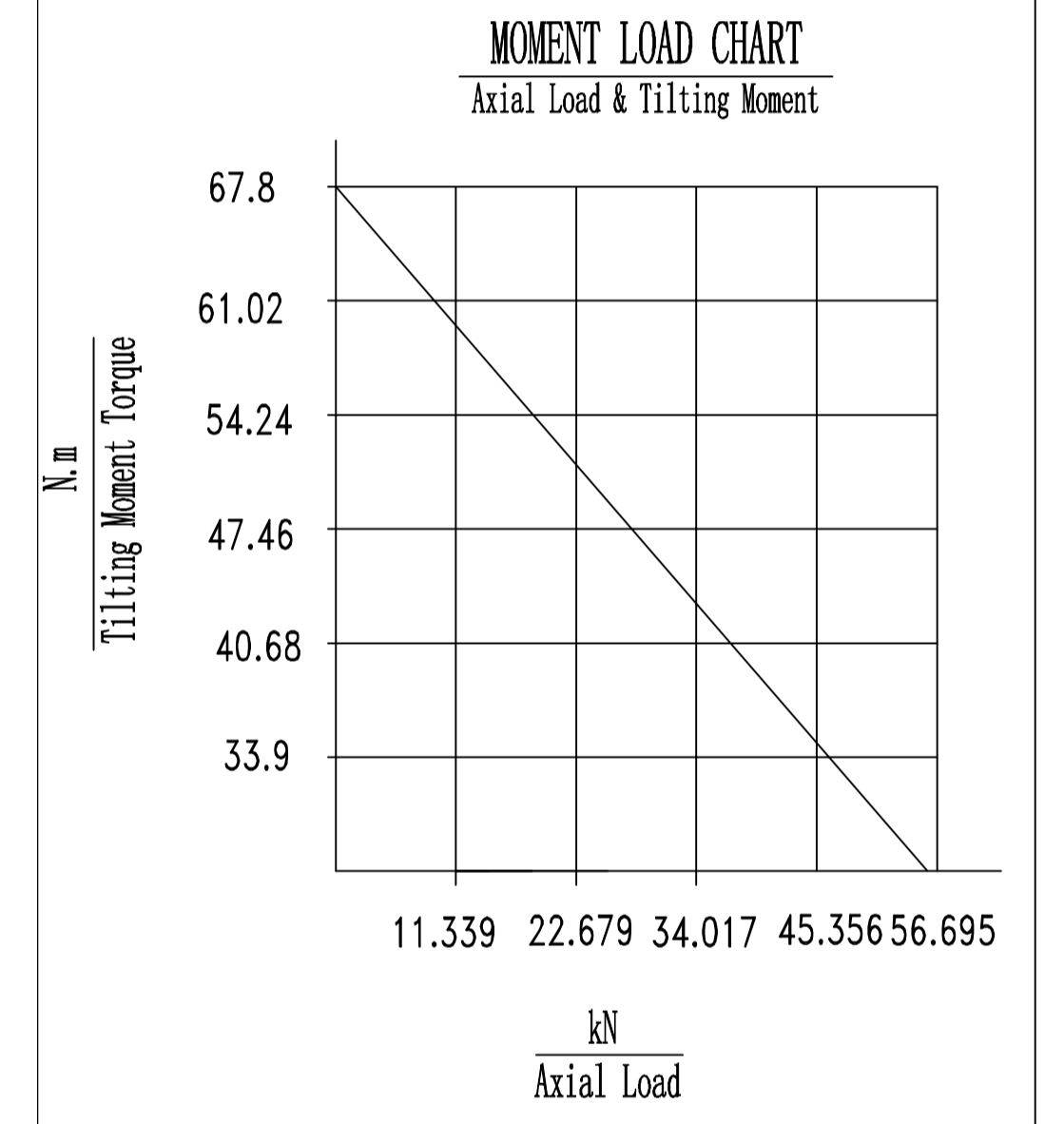
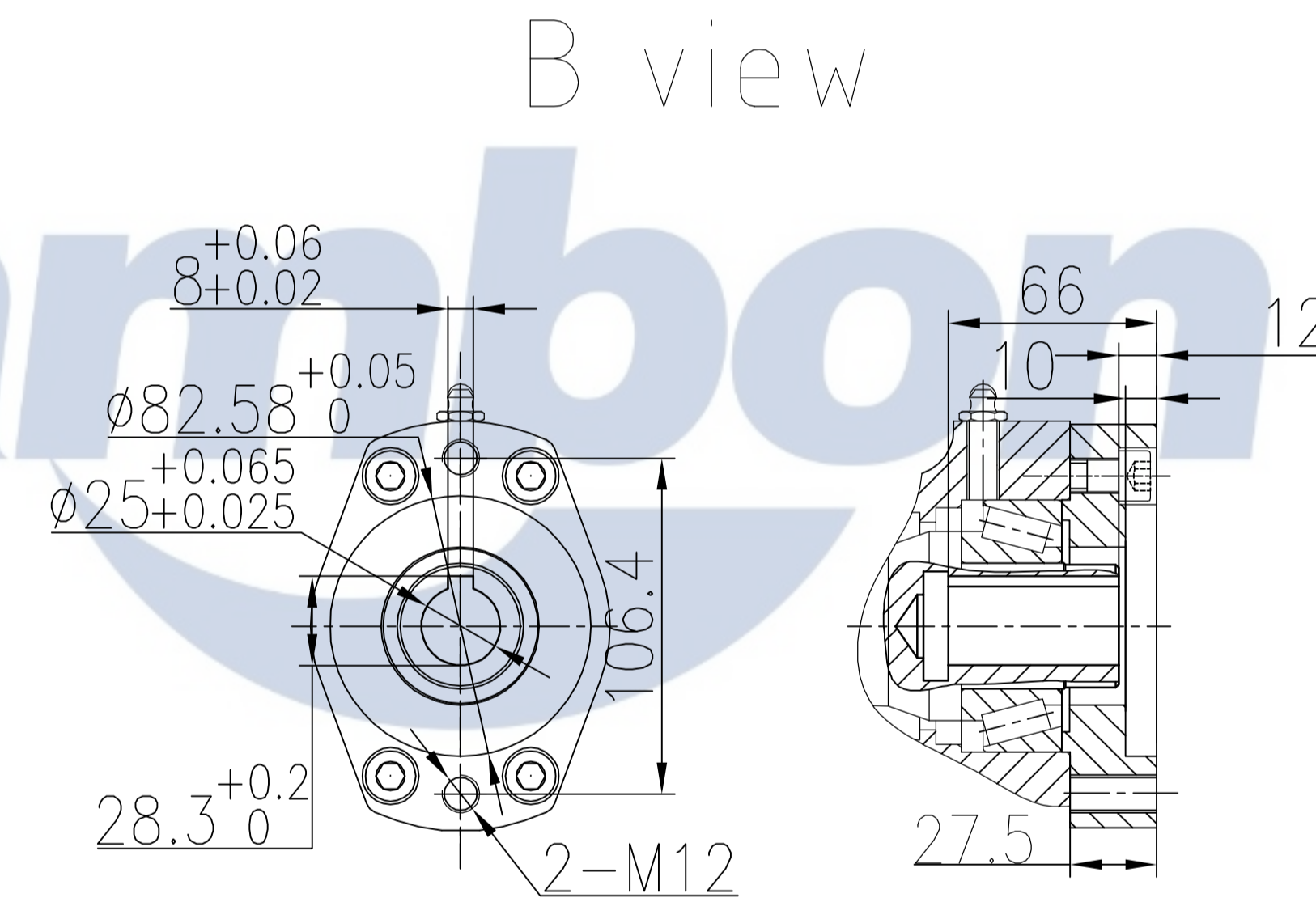
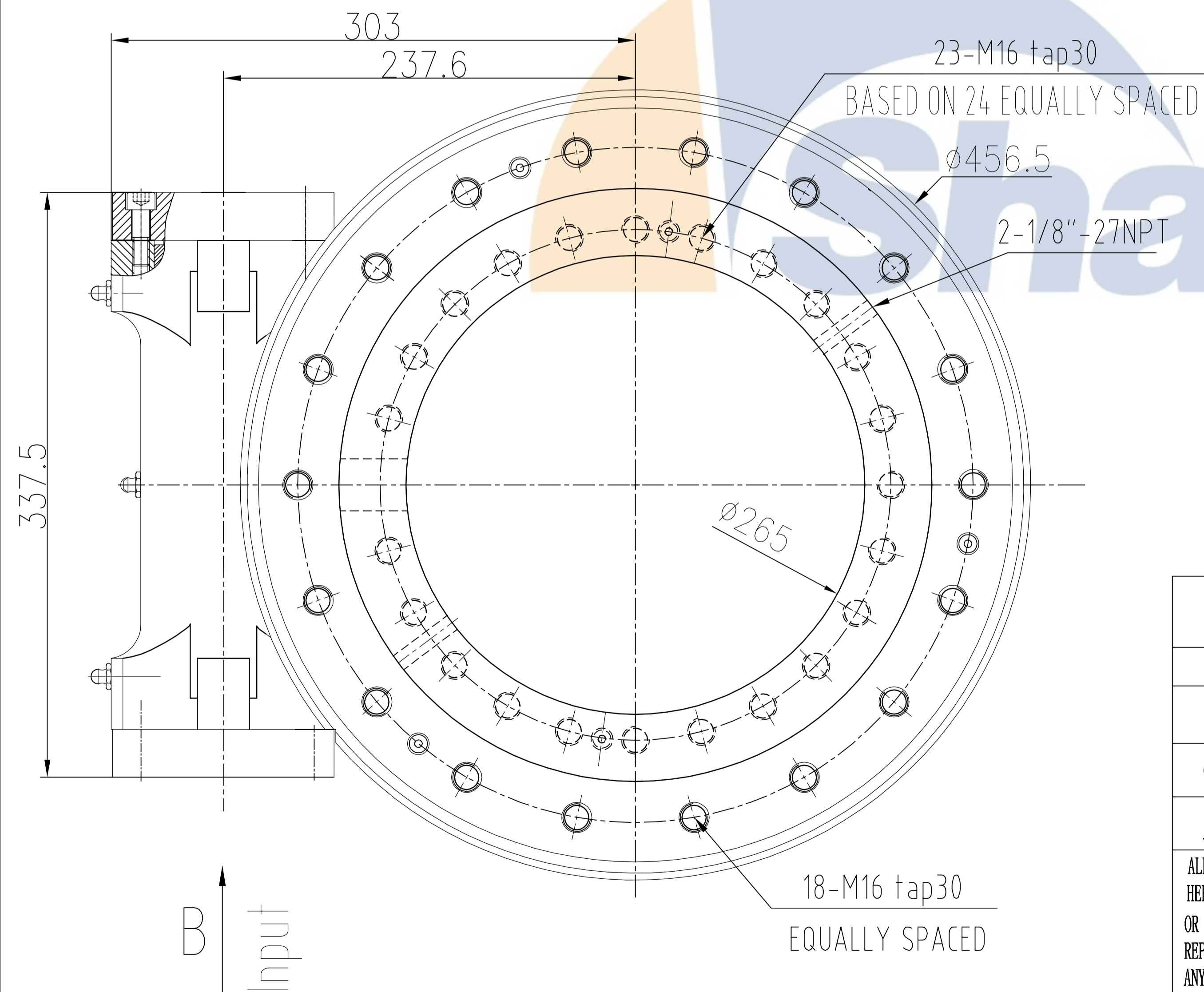



Gear Ratio	85:1
Rated Output Torque	8000 N.m
Rated Output Speed	$\leq 3/\text{rpm}$
Tilting Moment Torque	67.8 kN.m
Holding Torque	48 kN.m
Static Axial Rating	555 kN
Static Radial Rating	222 kN
Tracking Precision	$\leq 0.17^\circ$
IP Class	IP55
Self Locking Gears	Yes
Operating Temperature	$-20^\circ\text{C} / +120^\circ\text{C}$
Weight	64 kg



REV	DATE	REVISER	DESCRIPTION		
DESIGNED BY	Andrew			Xuzhou Shambon Machinery Co., Ltd. www.xzshangbang.com	
CHECKED BY	Colin				
APPROVED BY	Ivan				
ALL PROPRIETARY RIGHTS IN THE SUBJECT MATTER HERE OF ARE RESERVED, AND NO PERMISSION IS GRANTED OR TO DISCLOSE REPRODUCE THIS PRINT IN WHOLE OR IN PART, ANY OF THE INFORMATION TO OTHERS.			WEIGHT	SCALE	SLEWING DRIVE
SYMBOLE ISO			SHEET	1/1	
SIZE A3			SHEET 1/1		SE14-85-25R
