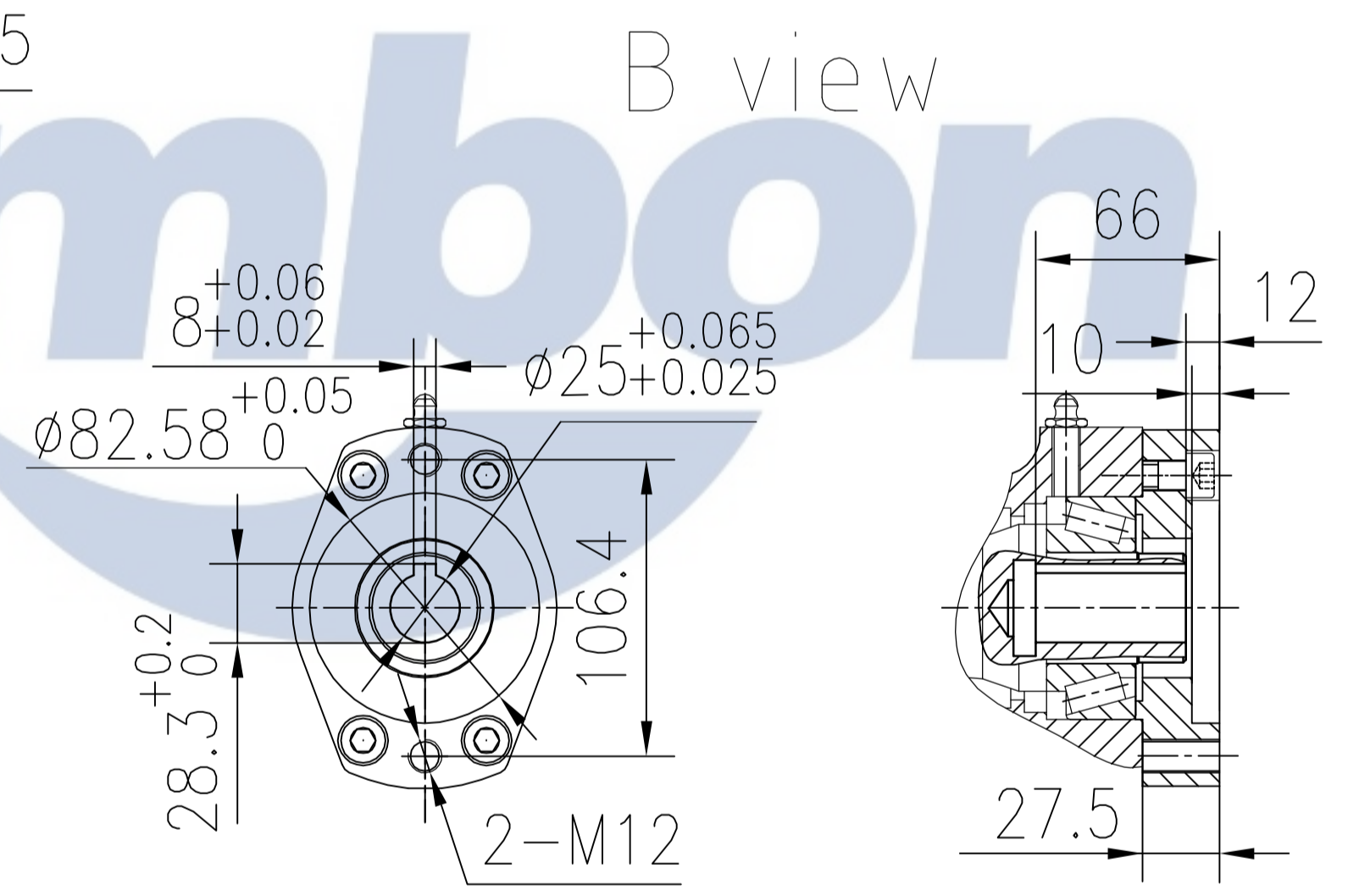
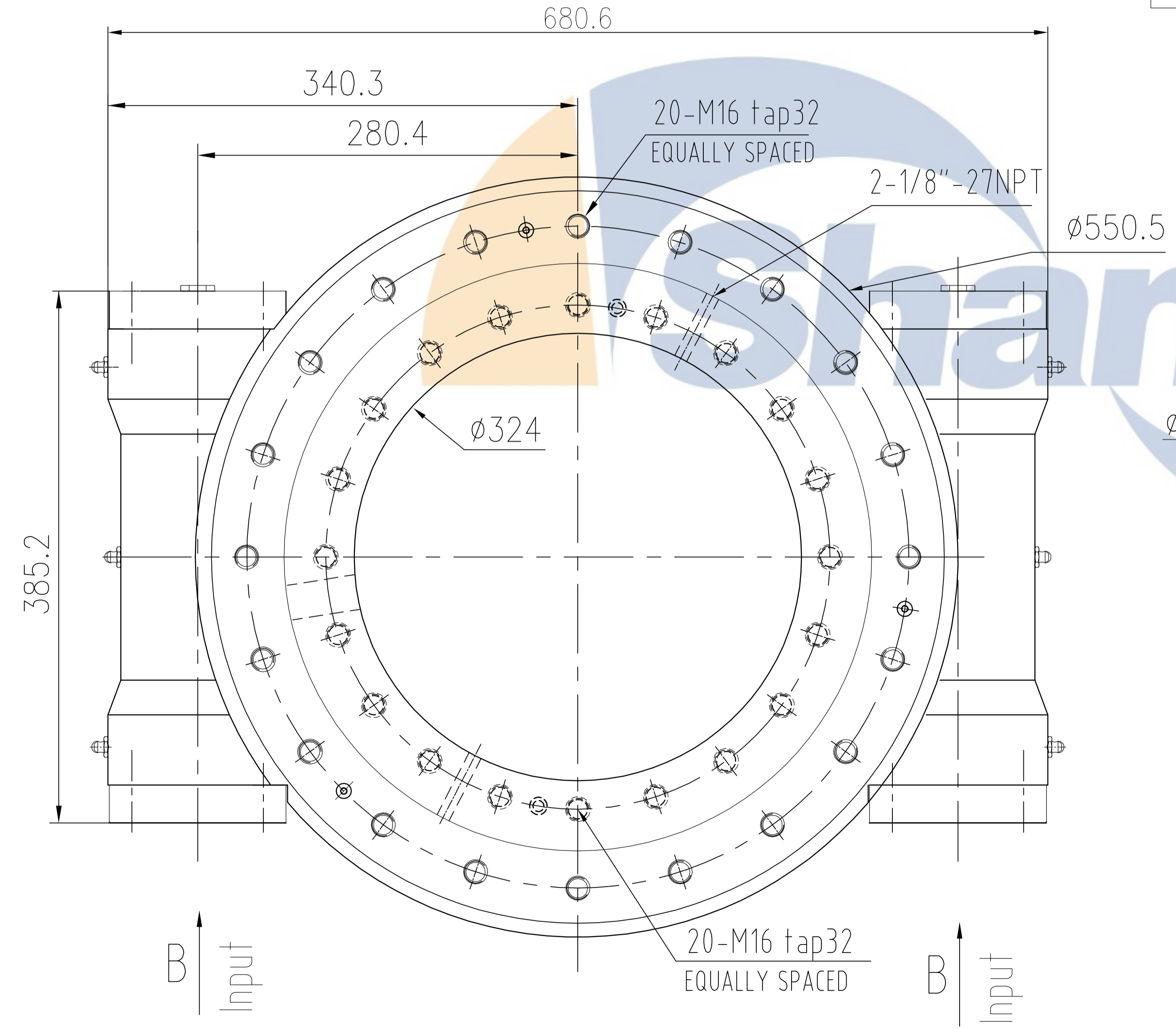
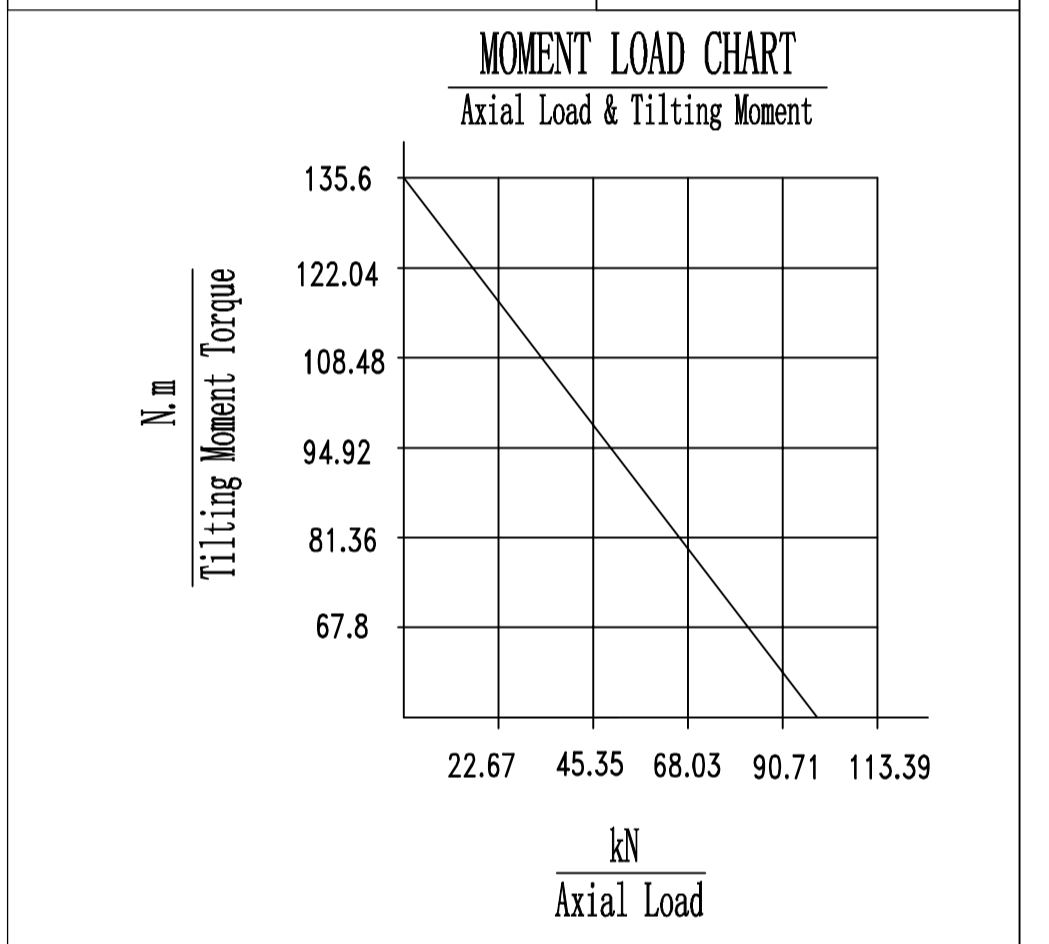


|                       |                |
|-----------------------|----------------|
| Gear Ratio            | 102:1          |
| Rated Output Torque   | 10000 N.m      |
| Rated Output Speed    | ≤ 3/rpm        |
| Tilting Moment Torque | 135.6 kN.m     |
| Holding Torque        | 72.3 kN.m      |
| Static Axial Rating   | 970 kN         |
| Static Radial Rating  | 390 kN         |
| Tracking Precision    | ≤ 0.15°        |
| IP Class              | IP55           |
| Self Locking Gears    | Yes            |
| Operating Temperature | -20°C / +120°C |

Weight 119kg



| REV  | DATE   | REVISER     | DESCRIPTION   |                                  |
|--|--------|-------------|---|----------------------------------|
| DESIGNED BY  | Andrew |             | Xuzhou Shambon Machinery Co., Ltd.<br>www.xzshangbang.com |                                  |
| CHECKED BY   | Colin  |             |   |                                  |
| APPROVED BY  | Ivan   |             |   |                                  |
| ALL PROPRIETARY RIGHTS IN THE SUBJECT MATTER<br>HERE OF ARE RESERVED, AND NO PERMISSION IS GRANTED<br>OR TO DISCLOSE<br>REPRODUCE THIS PRINT IN WHOLE OR IN PART,<br>ANY OF THE INFORMATION TO OTHERS. |        |             | WEIGHT<br>SCALE   |                                  |
| SYMBOLE ISO  |        | SIZE A3<br> | SHEET 1/1   | SLEWING DRIVE<br>SE17-102-2H-25R |
|  |        |             |   | REV A                            |