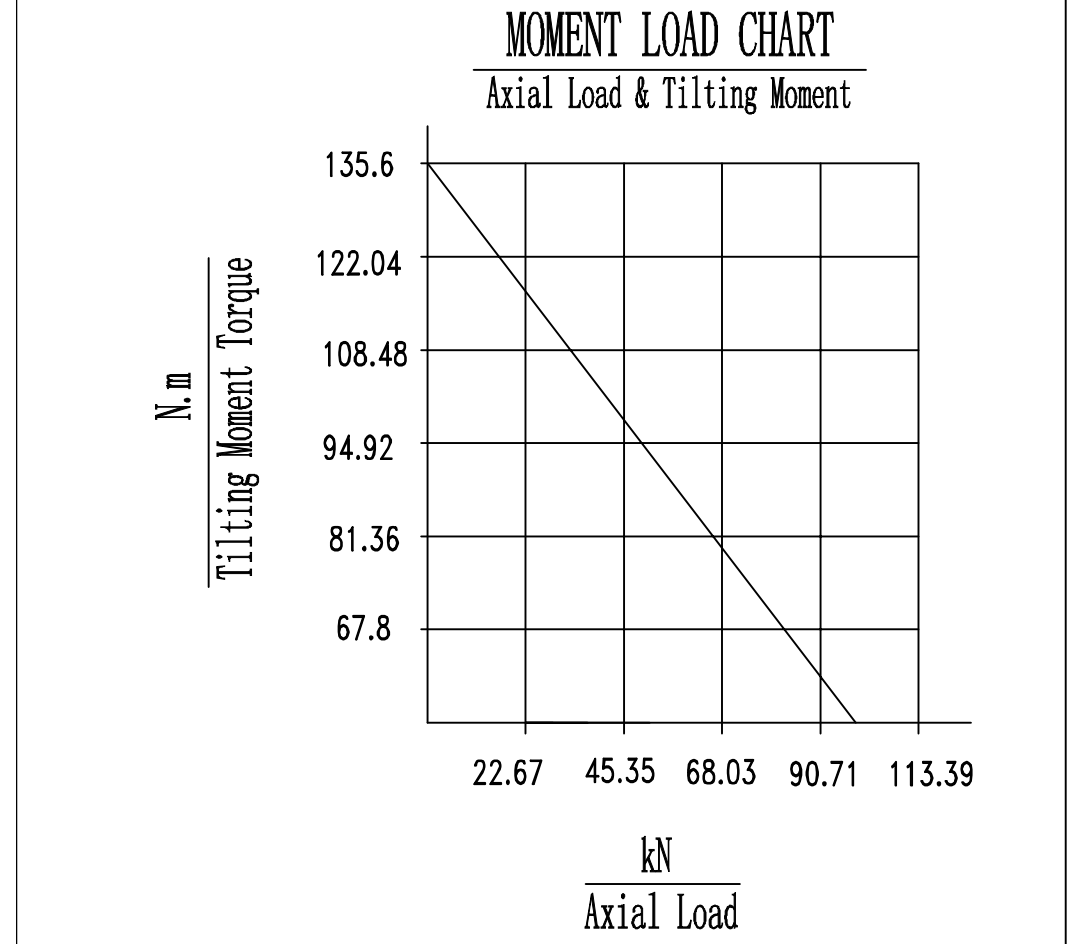
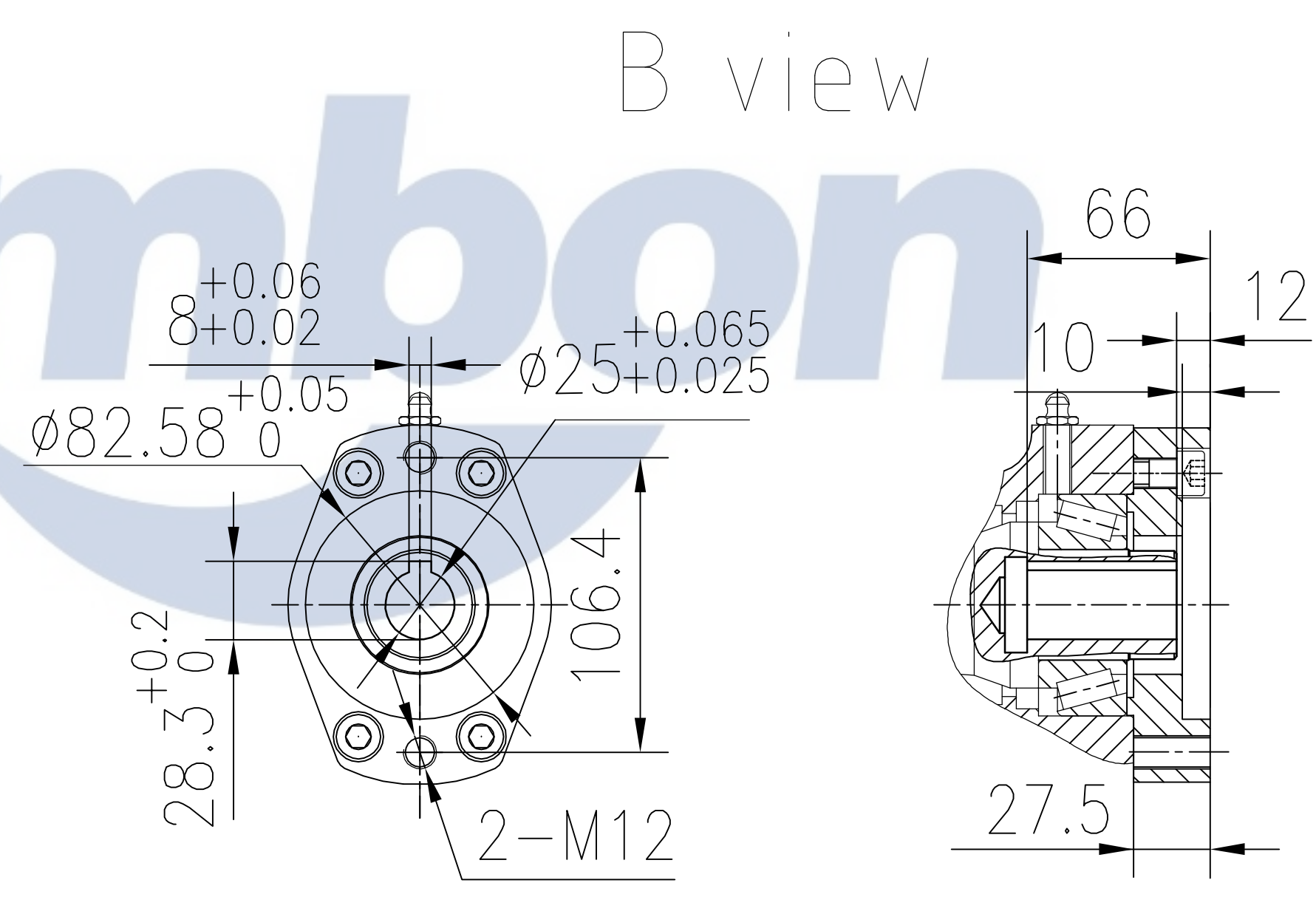
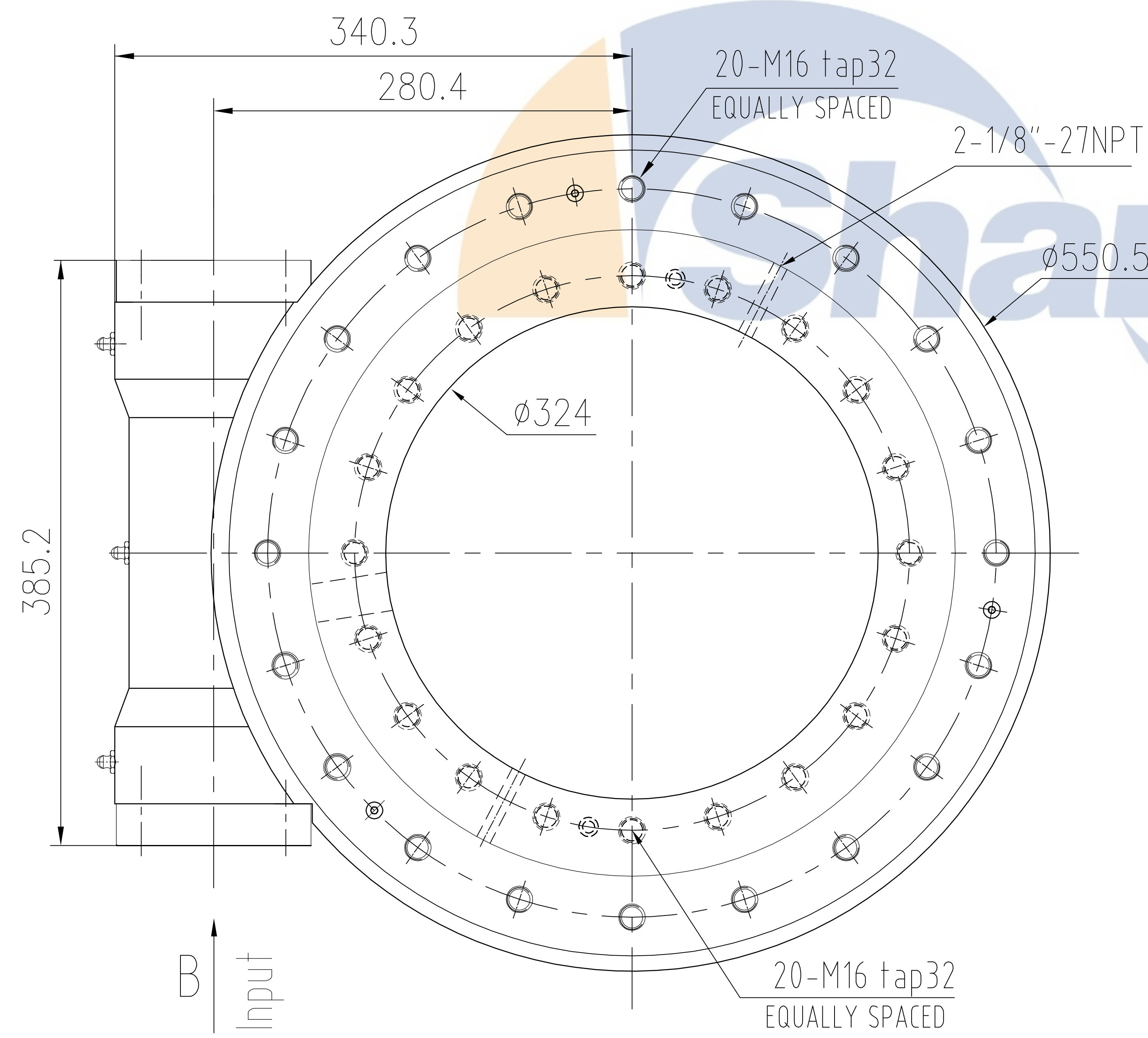


Gear Ratio	102:1
Rated Output Torque	10000 N.m
Rated Output Speed	$\leq 3/\text{rpm}$
Tilting Moment Torque	135.6 kN.m
Holding Torque	72.3 kN.m
Static Axial Rating	970 kN
Static Radial Rating	390 kN
Tracking Precision	$\leq 0.15^\circ$
IP Class	IP55
Self Locking Gears	Yes
Operating Temperature	$-20^\circ\text{C} / +120^\circ\text{C}$
Weight	105kg



REV	DATE	REVISER	DESCRIPTION		
DESIGNED BY	Andrew			Xuzhou Shambon Machinery Co., Ltd.	
CHECKED BY	Colin			www.xzshangbang.com	
APPROVED BY	Ivan				
<small>ALL PROPRIETARY RIGHTS IN THE SUBJECT MATTER HERE OF ARE RESERVED, AND NO PERMISSION IS GRANTED OR TO DISCLOSE REPRODUCE THIS PRINT IN WHOLE OR IN PART, ANY OF THE INFORMATION TO OTHERS.</small>			WEIGHT	SCALE	SLEWING DRIVE
SYMBOLS ISO			SHEET	1/1	
					SE17-102-25R
					REV A