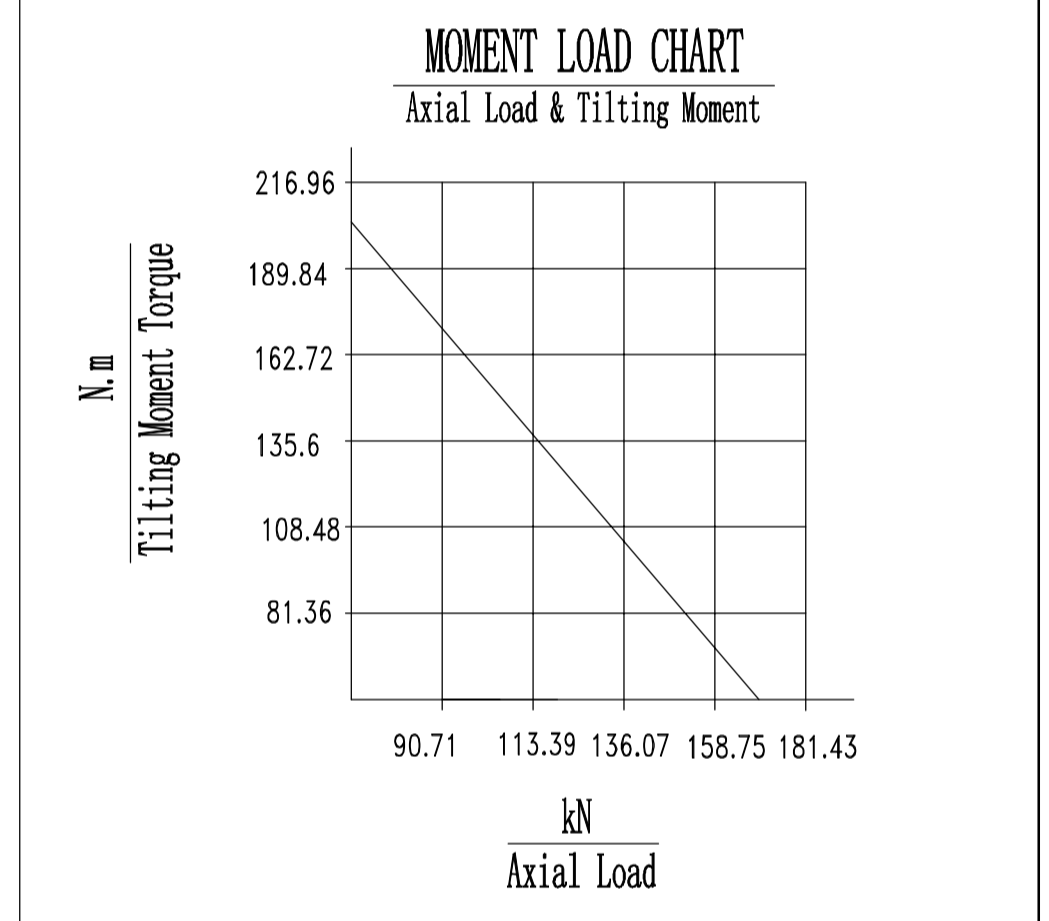
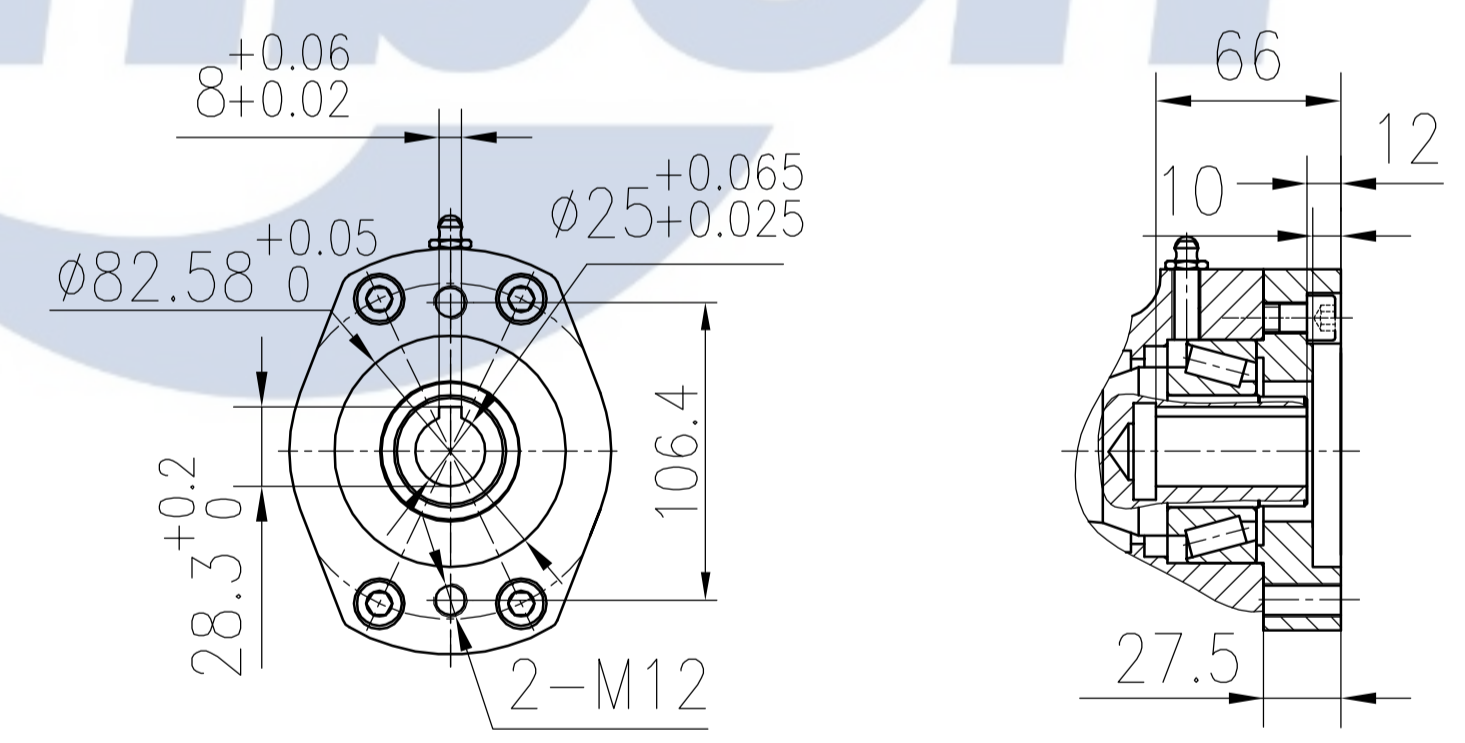
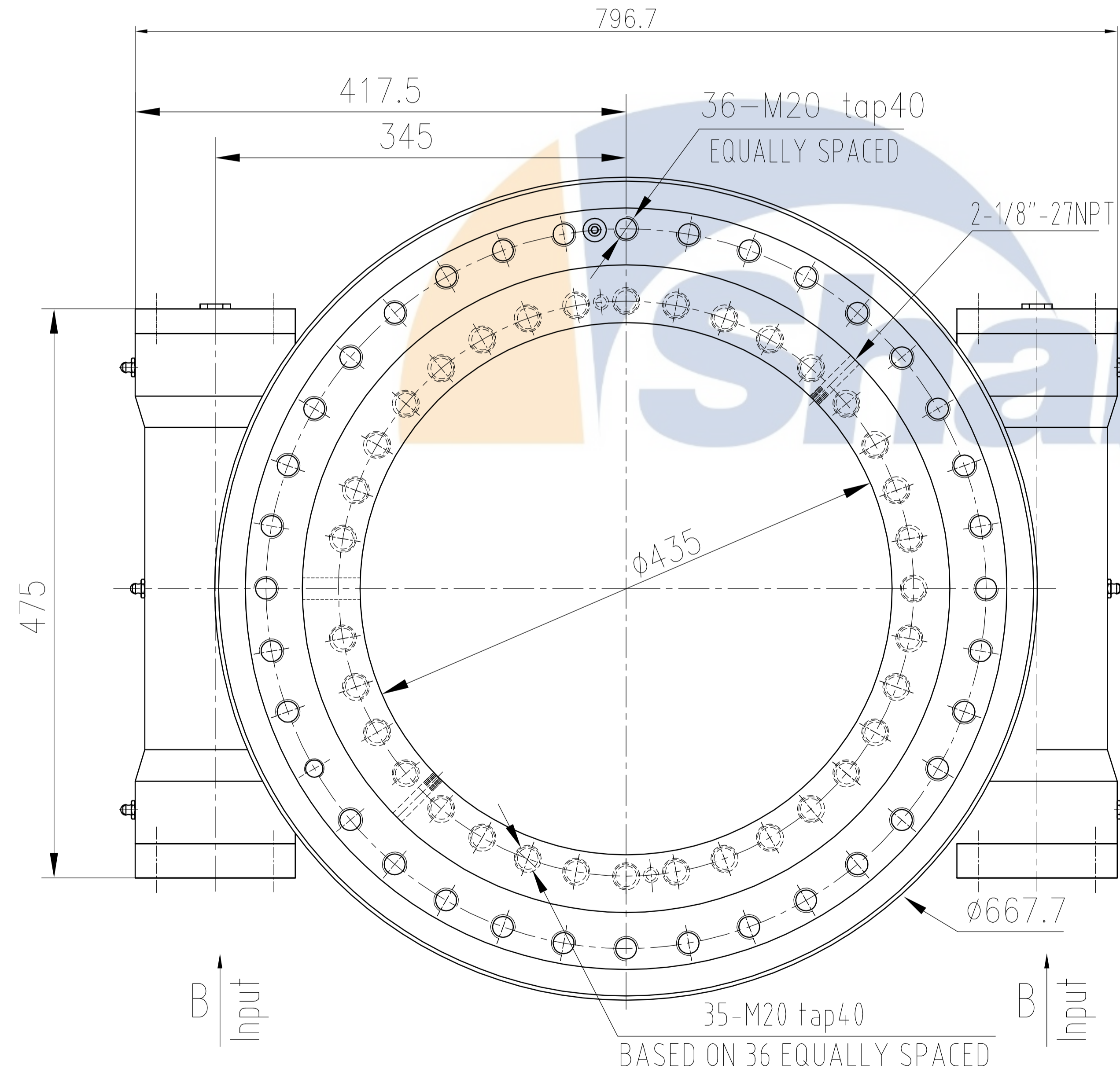


Gear Ratio	125:1
Rated Output Torque	20600 N.m
Rated Output Speed	≤ 3/rpm
Tilting Moment Torque	203 kN.m
Holding Torque	105.8 kN.m
Static Axial Rating	1598 kN
Static Radial Rating	640 kN
Tracking Precision	≤ 0.15°
IP Class	IP55
Self Locking Gears	Yes
Operating Temperature	-20°C / +120°C
Weight	161 kg



REV	DATE	REVISER	DESCRIPTION		
DESIGNED BY	Andrew			Xuzhou Shambon Machinery Co., Ltd.	
CHECKED BY	Colin			www.xzshangbang.com	
APPROVED BY	Ivan				
<small>ALL PROPRIETARY RIGHTS IN THE SUBJECT MATTER HERE OF ARE RESERVED, AND NO PERMISSION IS GRANTED OR TO DISCLOSE REPRODUCE THIS PRINT IN WHOLE OR IN PART, ANY OF THE INFORMATION TO OTHERS.</small>			WEIGHT	SCALE	SLEWING DRIVE
SYMBOLS ISO			SHEET	1/1	
					SE21-125-2H-25R
					REV A